

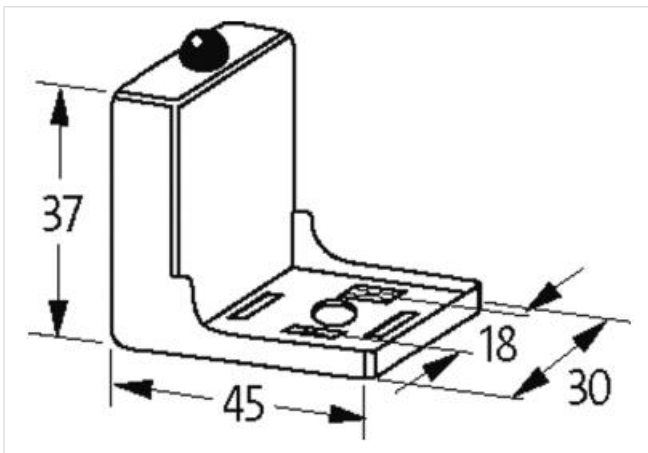
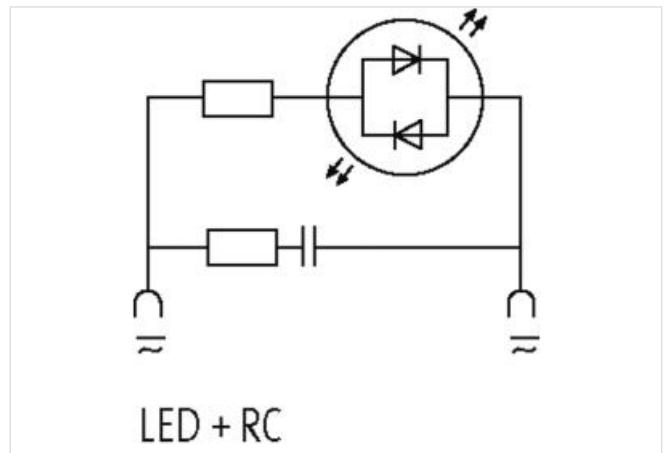
**VALVE PLUG SUPPRESSOR FORM A - 18MM**

RC and LED, 24VAC/DC/10VA/W

24 V AC/DC

RC + LED

Remove plug gasket when fitting adapter. Other LED colors on request.

[Link to Product](#)**Illustration**

Product may differ from Image

**Commercial data**

ECLASS-6.0	27371013
ECLASS-6.1	27371013
ECLASS-7.0	27371013
ECLASS-8.0	27371013
ECLASS-9.0	27371013
ECLASS-10.1	27371013

ECLASS-11.1	27371013
ECLASS-12.0	27371013
ETIM-5.0	EC000197
customs tariff number	85363010
GTIN	4048879012157
Packaging unit	1
<b>Electrical data</b>	
Capacity CX	20 ms
Holding power max.	10 W
<b>Electrical data   Supply</b>	
Cut-off peak voltage max.	105 V
<b>Electrical data   Input</b>	
Input voltage AC min.	12 V
Input voltage AC max.	30 V
Input voltage DC min.	12 V
Input voltage DC max.	30 V
<b>Diagnostics</b>	
Status indication LED	yellow
<b>Device protection   Media</b>	
Flame resistance	flame retardant
<b>Mechanical data   Material data</b>	
Coating contact	silver-plated
Color housing	black
Material housing	PA
Material contact	Bronze
<b>Mechanical data   Mounting data</b>	
Height	37 mm
Width	45 mm
Depth	30 mm
<b>Environmental characteristics   Climatic</b>	
Operating temperature min.	-20 °C
Operating temperature max.	60 °C
Housing temperature max. (EN 61347-2-13)	130 °C