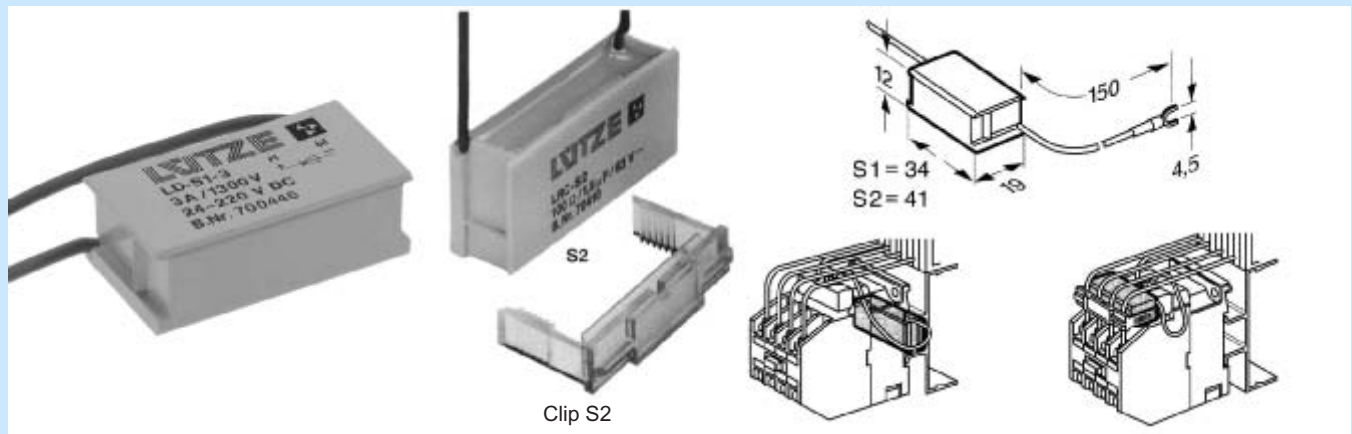


Universal suppression module in the S1/S2 housing



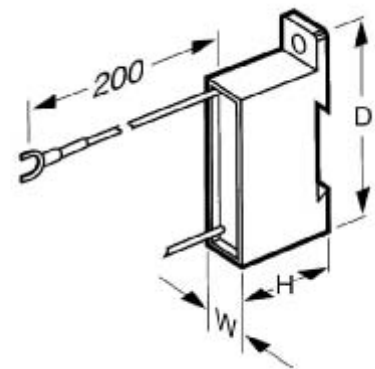
Protection device	Diode	Varistor	RC module
Wiring diagram			
Type	LD-S1-0445 DC 24-230 V	LV-S1-0440 AC/DC 24 V	LRC-S2-0411 AC 60 V
Article no.	700445	700440	700411
Technical Data			
Rated Voltage U_N	DC 24 V – 230 V	AC/DC 24 V	AC 24 V – 60 V
Holding Capacity	1600 V/1 A	60 VA	20 VA

Wiring diagram			
Type	LD-S1-0446 DC 24-230 V	LV-S1-0370 AC/DC 60-115 V	LRC-S2-0414 AC 110-230 V
Article no.	700446	700370	700414
Technical Data			
Rated Voltage U_N	DC 24 V – 230 V	AC/DC 60 V – 115 V	AC 110 V – 230 V
Holding Capacity	1300 V/3 A	200 VA	10 VA

Wiring diagram			
Type		LV-S1-0433 AC 230 V	LRC-S2-0413 AC 110-230 V
Article no.		700433	700413
Technical Data			
Rated Voltage U_N		AC/DC 230 V	AC 110 V – 230 V
Holding Capacity		6 VA	20 VA

General Data			
Model	S1	S1	S2
Housing Material	Noryl	Noryl	Noryl
Mount	can be placed in top hat profile or holding clamp	can be placed in top hat profile or holding clamp	can be placed in top hat profile or holding clamp
Connection device	Forked spade terminal M 4, 2 cable ends (bk) 150 mm/LIY 0.5 mm ²	Forked spade terminal M 4, 2 cable ends (bk) 150 mm/LIY 0.5 mm ²	Forked spade terminal M 4, 2 cable ends (bk) 150 mm/LIY 0.5 mm ²
Operating temperature range	0 °C – 60 °C	0 °C – 60 °C	0 °C – 60 °C
Dimensions (W x H x D)	34 mm x 19 mm x 12 mm	34 mm x 19 mm x 12 mm	41 mm x 19 mm x 12 mm
Accessories	Part no. 700 409 holding clamp for S1	Part no. 700 409 holding clamp for S1	Part no. 700 419 holding clamp for S2

Universal suppression module in the V1 housing



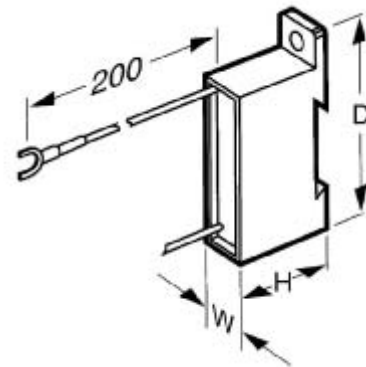
Protection device	Diode	Varistor	RC module
Wiring diagram			
Type	LD-V1-0475 DC 24-230 V	LV-V1-0577 AC/DC 24 V	LRC-V1-0466 AC 110-230 V
Article no.	700475	700577	700466
Technical Data			
Rated Voltage U_N	DC 24 V – 230 V	AC/DC 24 V	AC 110 V – 230 V
Holding Capacity	1600 V/1 A	200 VA	30 VA

Wiring diagram		
Type	LD-V1-0476 DC 24-230 V	LV-V1-0568 AC/DC 60-110 V
Article no.	700476	700568
Technical Data		
Rated Voltage U_N	DC 24 V – 230 V	AC/DC 60 V – 110 V
Holding Capacity	1300 V/3 A	200 VA

Wiring diagram	
Type	LV-V1-0435 AC/DC 230 V
Article no.	700435
Technical Data	
Rated Voltage	AC/DC 230 V
Holding Capacity	200 VA

General Data			
Model	V1	V1	V1
Housing Material	Noryl	Noryl	Noryl
Mount	With mounting hole M4 or can be snapped onto 35 mm top hat profile with additional snap-on base, part no. 700 499	With mounting hole M4 or can be snapped onto 35 mm top hat profile with additional snap-on base, part no. 700 499	With mounting hole M4 or can be snapped onto 35 mm top hat profile with additional snap-on base, part no. 700 499
Connection device	Forked spade terminal M 4, 2 cable ends (bk) 200 mm/LIY 0.5 mm ²	Forked spade terminal M 4, 2 cable ends (bk) 200 mm/LIY 0.5 mm ²	Forked spade terminal M 4, 2 cable ends (bk) 200 mm/LIY 0.5 mm ²
Operating temperature range	0 °C – 60 °C	0 °C – 60 °C	0 °C – 60 °C
Dimensions (W x H x D)	12,5 mm x 25 mm x 48 mm	12,5 mm x 25 mm x 48 mm	12,5 mm x 25 mm x 48 mm
Accessories	Snap-on base type 2, 1 x part no. 700 499 see chapter 'Accessories'	Snap-on base type 2, 1 x part no. 700 499 see chapter 'Accessories'	Snap-on base type 2, 1 x part no. 700 499 see chapter 'Accessories'

Universal suppression module in the VM1 and V2 housing



Protection device	RC module	RC module
Wiring diagram		
Type	LRC-V2-0464 AC 230-400 V	LRC-V2-1583 AC 230-400 V
Article no.	700464	701583
Technical Data		
Rated Voltage U_N	AC 230 V – 400 V	AC 230 V – 400 V
Holding Capacity	10 VA	60 VA

Wiring diagram	
Type	LRC-VM1-0463 AC 110-230 V
Article no.	700463
Technical Data	
Rated Voltage U_N	AC 110 V – 230 V
Holding Capacity	30 VA

Wiring diagram	
Type	LRC-V2-0462 AC 110-230 V
Article no.	700462
Technical Data	
Rated Voltage U_N	AC 110 V – 230 V
Holding Capacity	40 VA

General Data		
Model	V2	V2
Housing Material	Noryl	Noryl
Mount	With mounting hole M4 or can be snapped onto 35 mm top hat profile with additional snap-on base, part no. 700 499	With mounting hole M4 or can be snapped onto 35 mm top hat profile with additional snap-on base, part no. 700 499
Connection device	Forked spade terminal M 4, 2 cable ends (bk) 200 mm/LIY 0.5 mm ²	Forked spade terminal M 4, 2 cable ends (bk) 200 mm/LIY 0.5 mm ²
Operating temperature range	0 °C – 60 °C	0 °C – 60 °C
Dimensions (W x H x D)	15 mm x 30 mm x 58 mm	15 mm x 30 mm x 58 mm
Accessories	Snap-on base type 2 2 x part no. 700 499 see chapter 'Accessories'	Snap-on base type 2 2 x part no. 700 499 see chapter 'Accessories'

Universal suppression module S10 with captive fork terminals, suitable for contactor with one-sided coil connections



Protection device	Diode	Varistor	RC module
Wiring diagram			
Type	LD-S10-2341 DC 24-400 V	LV-S10-2344 AC/DC 24 V	LRC-S10-2401 AC 230 V
Article no.	702341	702344	702401
Technical Data			
Rated Voltage U_N	DC 24 V – 400 V	AC/DC 24 V	AC 110 V – 230 V
Holding Capacity	1600 V/1 A	70 VA	10 VA
Approvals			VDE, UL, CSA

Wiring diagram		
Type		LRC-S10-2466 AC 230 V
Article no.		702466
Technical Data		
Rated Voltage U_N		AC 110 V – 230 V
Holding Capacity		32 VA
Approvals		

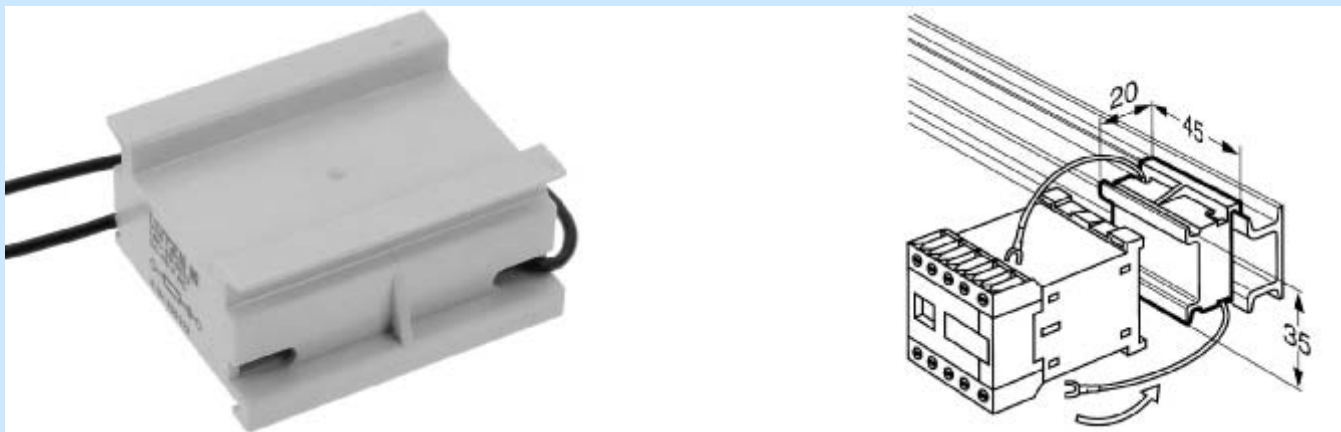
General Data			
Model	S10	S10	S10
Housing Material	PA 6.6	PA 6.6	PA 6.6
Mount	Can be plugged in directly to coil connections	Can be plugged in directly to coil connections	Can be plugged in directly to coil connections
Connection device	Fork terminal M3.5, Forked cable contact M3.5 Cable end (bk) 40 mm/LIY 0.5 mm ²	Fork terminal M3.5, Forked cable contact M3.5 Cable end (bk) 40 mm/LIY 0.5 mm ²	Fork terminal M3.5, Forked cable contact M3.5 Cable end (bk) 40 mm/LIY 0.5 mm ²
Operating temperature range	0 °C – 60 °C	0 °C – 60 °C	0 °C – 60 °C
Dimensions (W × H × D)	40 mm × 25,5 mm × 13 mm	40 mm × 25,5 mm × 13 mm	40 mm × 25,5 mm × 13 mm

Universal suppression module S10 with captive fork terminals, suitable for contactor with opposite coil connections



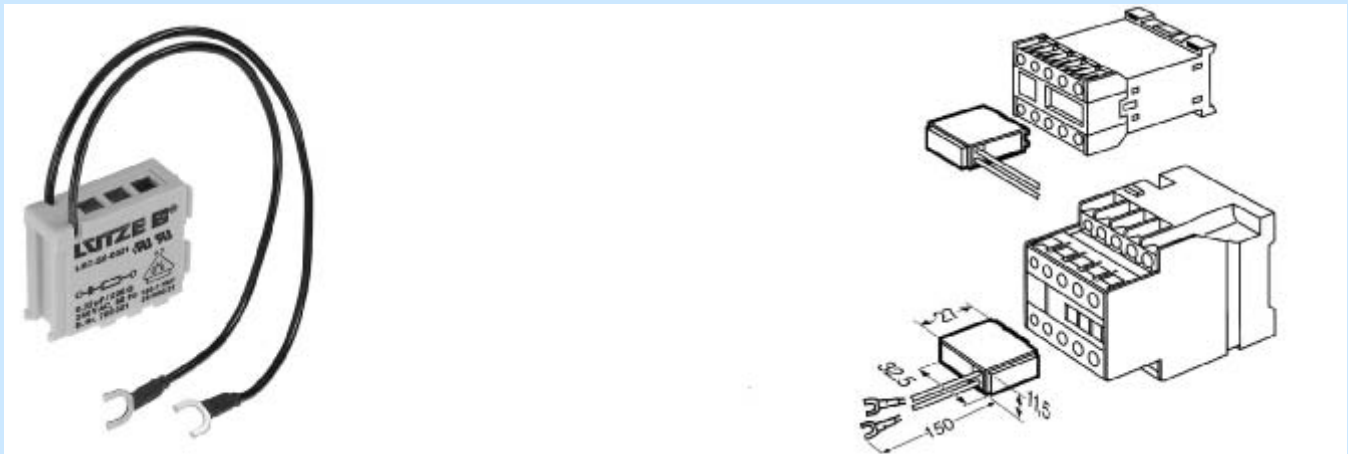
Protection device	Diode	Varistor	RC module
Wiring diagram			
Type	LD-S10-3341 DC 24-400 V	LV-S10-3344 AC/DC 24 V	LRC-S10-3401 AC 110-230 V
Article no.	703341	703344	703401
Technical Data			
Rated Voltage U_N	DC 24 V – 400 V	AC/DC 24 V	AC 110 V – 230 V
Holding Capacity	1600 V/1 A	70 VA	10 VA
General Data			
Model	S10	S10	S10
Housing Material	PA 6.6	PA 6.6	PA 6.6
Mount	Can be plugged in directly to coil connections	Can be plugged in directly to coil connections	Can be plugged in directly to coil connections
Connection device	Fork terminal M3.5, Forked cable contact M3.5 Cable end 200 mm/LIY 0.5 mm ²	Fork terminal M3.5, Forked cable contact M3.5 Cable end 200 mm/LIY 0.5 mm ²	Fork terminal M3.5, Forked cable contact M3.5 Cable end 200 mm/LIY 0.5 mm ²
Operating temperature range	0 °C – 60 °C	0 °C – 60 °C	0 °C – 60 °C
Dimensions (W x H x D)	40 mm x 25,5 mm x 13 mm	40 mm x 25,5 mm x 13 mm	40 mm x 25,5 mm x 13 mm

Universal suppression module S9 as underframe housing for all contactors up to 45 mm width



Protection device	Diode	Varistor	RC module
Wiring diagram			
Type	LD-S9-0210 DC 12-230 V	LV-S9-0230 AC/DC 24-48 V	LRC-S9-0212
Article no.	700210	700230	700212
Technical Data			
Rated Voltage U_N	DC 12 V – 230 V	AC/DC 24 V – 48 V	AC 24 V – 60 V
Holding Capacity	1600 V/1 A	200 VA	10 VA
Approvals		VW approval	
Wiring diagram			
Type	LDZ-S9-0220 DC 24 V	LV-S9-0215 AC/DC 60-110 V	LRC-S9-0214 AC 110-230 V
Article no.	700220	700215	700214
Technical Data			
Rated Voltage U_N	DC 24 V	AC/DC 60 V – 110 V	AC 110 V – 230 V
Holding Capacity	50 VA	200 VA	10 VA
Approvals		VW approval	
Wiring diagram			
Type		LV-S9-0231 AC/DC 110-230 V	
Article no.		700231	
Technical Data			
Rated Voltage U_N		AC/DC 110 V – 230 V	
Holding Capacity		200 VA	
Approvals		VW approval	
General Data			
Model	S9	S9	S9
Housing Material	Lexan	Lexan	Lexan
Mount	Can be snapped onto top hat profile TS35 (EN 50 022)	Can be snapped onto top hat profile TS35 (EN 50 022)	Can be snapped onto top hat profile TS35 (EN 50 022)
Connection device	Forked spade terminal M 4, 2 cable ends (bk) 160 mm/LIY 0.5 mm ²	Forked spade terminal M 4, 2 cable ends (bk) 160 mm/LIY 0.5 mm ²	Forked spade terminal M 4, 2 cable ends (bk) 160 mm/LIY 0.5 mm ²
Operating temperature range	0 °C – 60 °C	0 °C – 60 °C	0 °C – 60 °C
Dimensions (W x H x D)	45 mm x 20 mm x 35 mm	45 mm x 20 mm x 35 mm	45 mm x 20 mm x 35 mm

Suppression module S6 for Siemens, AEG, Möller contactors



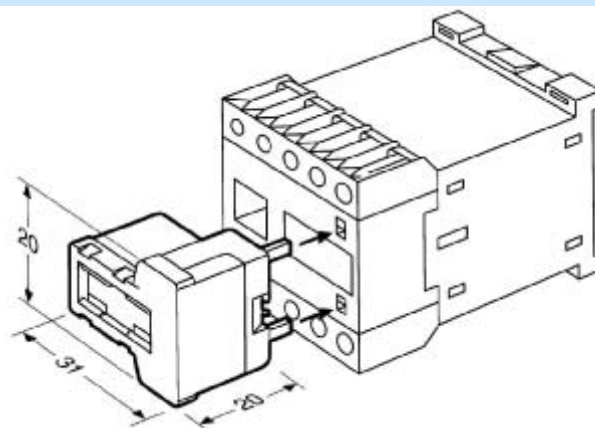
Protection device	Diode	Varistor	RC module
Wiring diagram			
Type	LD-S6-0323 DC 24-230 V	LV-S6-0324 AC/DC 24 V	LRC-S6-0322 AC 24-48 V
Article no.	700323	700324	700322
Technical Data			
Rated Voltage U_N	DC 24 V – 230 V	AC/DC 24 V	AC 24 V – 48 V
Holding Capacity	1600 V/1 A	200 VA	10 VA
Approvals			

Wiring diagram			
Type	LDZ-S6-0328 DC 24 V	LV-S6-0327 AC/DC 110 V	LRC-S6-0321
Article no.	700328	700327	700321
Technical Data			
Rated Voltage	DC 24 V	AC/DC 110 V	AC 230 V
Holding Capacity	50 VA	200 VA	10 VA
Approvals			VDE, UL, CSA

Wiring diagram			
Type		LV-S6-0326 AC/DC 230 V	
Article no.		700326	
Technical Data			
Rated Voltage		AC/DC 230 V	
Holding Capacity		200 VA	
Approvals			

General Data			
Model	S6	S6	S6
Housing Material	Bergamid	Bergamid	Bergamid
Mount	can be clipped on in place of the identification plate	can be clipped on in place of the identification plate	can be clipped on in place of the identification plate
Connection device	Forked spade terminal, 2 cable ends 160 mm/LIY 0.5 mm ²	Forked spade terminal, 2 cable ends (bk) 160 mm/LIY 0.5 mm ²	Forked spade terminal, 2 cable ends (bk) 150 mm/LIY 0.5 mm ²
Operating temperature range	0 °C – 60 °C	0 °C – 60 °C	0 °C – 60 °C
Dimensions (W x H x D)	32,5 mm x 27 mm x 11,5 mm	32,5 mm x 27 mm x 11,5 mm	32,5 mm x 27 mm x 11,5 mm

Suppression module S8 for Siemens contactors 3 TH 2, 3 TF 2, 3 TH 20, 3 TF 20

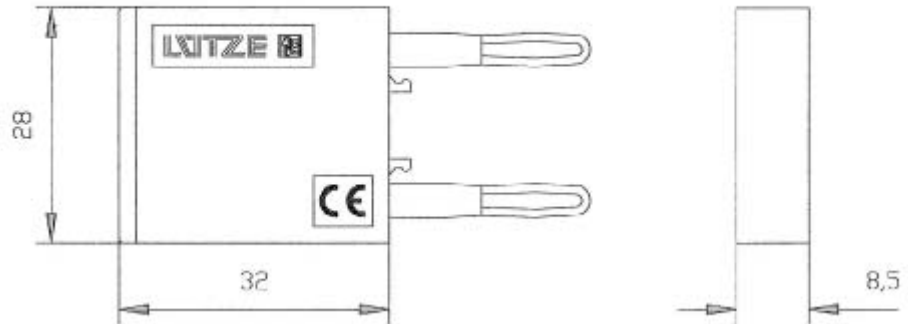


Protection device	Diode	Varistor	RC module
Wiring diagram			
Type	LD-S8-0313 DC 24-230 V	LV-S8-0314 AC/DC 24-44 V	LRC-S8-0310 AC 110-230 V
Article no.	700313	700314	700310
Technical Data			
Status Indication			
Rated Voltage U_N	DC 24 V – 230 V	AC/DC 24 V – 48 V	AC 110 V – 230 V
Holding Capacity	1600 V/1 A	200 VA	10 VA

Wiring diagram	
Type	LD-S8-0284 DC 24 V
Article no.	700284
Technical Data	
Status Indication	Yellow LED
Rated Voltage	DC 24 V
Holding Capacity	

General Data			
Model	S8	S8	S8
Housing Material	Bergamid	Bergamid	Bergamid
Connection device	Plug contact	Plug contact	Plug contact
Operating temperature range	0 °C – 60 °C	0 °C – 60 °C	0 °C – 60 °C
Dimensions (W x H x D)	31 mm x 20 mm x 20 mm	31 mm x 20 mm x 20 mm	31 mm x 20 mm x 20 mm

Suppression module S11 for Siemens contactors SIRIUS 3 RT 10 (S00), 3 RH 11 (S00)

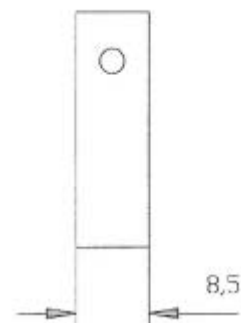
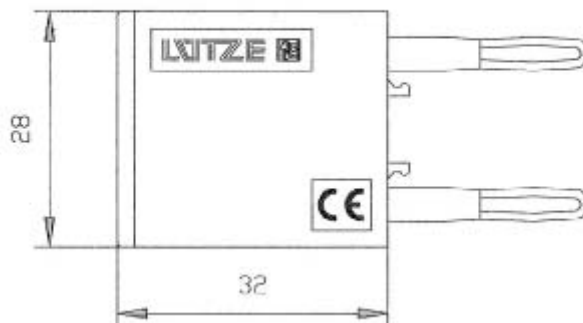


Protection device	Diode	Varistor	RC module
Wiring diagram			
Type	LD-S11-0952 DC 12-250 V	LV-S11-0950 AC/DC 24 V	LRC-S11-0959 AC/DC 230 V
Article no.	700952	700950	700959
Technical Data			
Rated Voltage	DC 12 V – 250 V	AC/DC 24 V	AC/DC 230 V
Approvals	UL, CSA	UL, CSA	UL, CSA

Wiring diagram	
Type	LV-S11-0951 AC/DC 230 V
Article no.	700951
Technical Data	
Rated Voltage	AC/DC 230 V
Approvals	UL, CSA

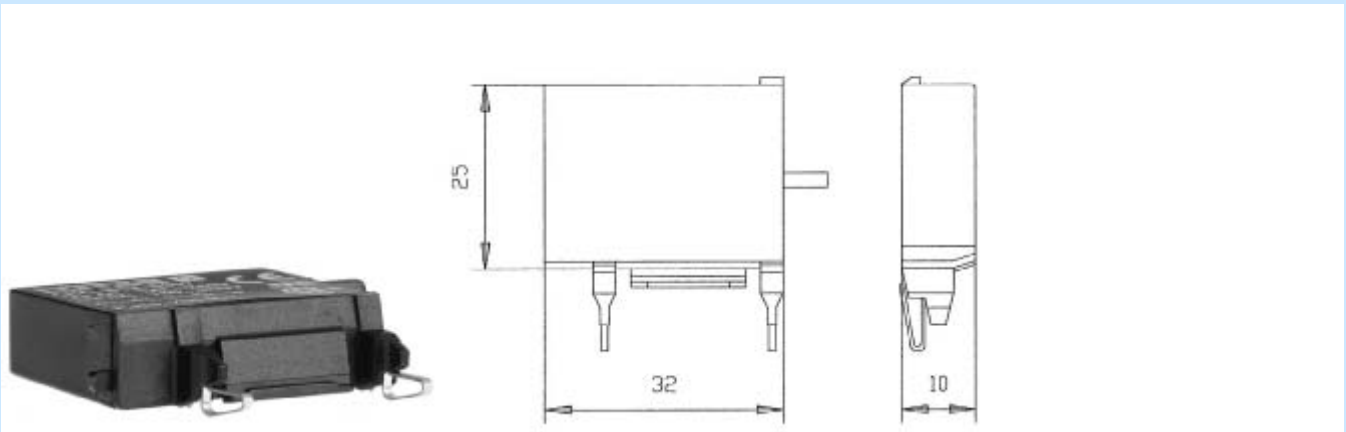
General Data			
Model	S11	S11	S11
Housing Material	Polyamide	Polyamide	Polyamide
Mount	Can be snapped onto the contactor	Can be snapped onto the contactor	Can be snapped onto the contactor
Operating temperature range	-25 °C – 60 °C	-25 °C – 60 °C	-25 °C – 60 °C
Dimensions (W x H x D)	8,5 mm x 32 mm x 28 mm	8,5 mm x 32 mm x 28 mm	8,5 mm x 32 mm x 28 mm

Suppression module S11 for Siemens contactors SIRIUS 3 RT 10 (S00), 3 RH 11 (S00)



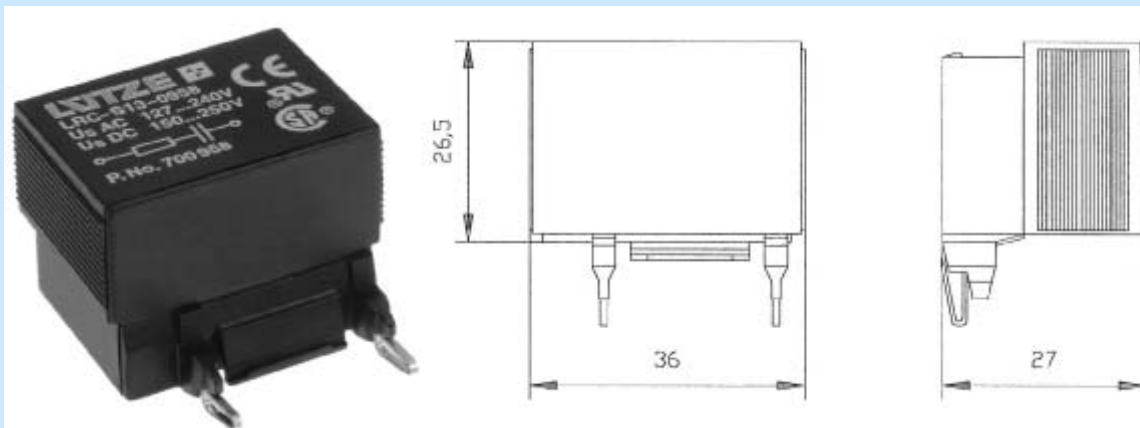
Protection device	Diode	Varistor
Wiring diagram		
Type	LD-S11-0955 DC 24 V	LV-S11-0953 AC/DC 24 V
Article no.	700955	700953
Technical Data		
Status Indication	Yellow LED	Yellow LED
Rated Voltage U_N	DC 24 V – 70 V	AC/DC 24 V
Approvals	UL, CSA	UL, CSA
Wiring diagram		
Type		LV-S11-0954 AC/DC 230 V
Article no.		700954
Technical Data		
Status Indication		Yellow LED
Rated Voltage		AC/DC 230 V
Approvals		UL, CSA
General Data		
Model	S11	S11
Housing Material	Polyamide	Polyamide
Mount	Can be snapped onto the contactor	Can be snapped onto the contactor
Operating temperature range	-25 °C – 60 °C	-25 °C – 60 °C
Dimensions (W × H × D)	8,5 mm × 32 mm × 28 mm	8,5 mm × 32 mm × 28 mm

Suppression module S12 for Siemens contactors SIRIUS 3 RT 102 (S0) to 3 RT 104 (S3)



Protection device		Varistor	RC module
Wiring diagram			
Type		LV-S12-0956 AC/DC 24 V	LRC-S12-0957 AC/DC 230 V
Part-No.		700956	700957
Technical Data			
Rated Voltage		AC/DC 24 V	AC/DC 230 V
Approvals		UL, CSA	UL, CSA
General Data			
Model		S12	S12
Housing Material		Polyamide	Polyamide
Mount		plug-in	plug-in
Operating temperature range		-25 °C – 60 °C	-25 °C – 60 °C
Dimensions (W x H x D)		32 mm x 25 mm x 10 mm	32 mm x 25 mm x 10 mm

Suppression module S13 for Siemens contactors SIRIUS 3 RT 103 (S2), 3 RT 104 (S3)



Protection device	RC module
Wiring diagram	
Type	LRC-S13-0958 AC/DC 230 V
Article no.	700958
Technical Data	
Rated Voltage	AC/DC 230 V
Approvals	UL, CSA

General Data	
Model	S13
Housing Material	Polyamide
Mount	plug-in
Operating temperature range	-25 °C – 60 °C
Dimensions (W x H x D)	36 mm x 26,5 mm x 27 mm